

4MP Mini Fixed Bullet Network Camera

IPC2124LR3-PF40(60)M-D



Key Features

Optics

- Day/night functionality
- Smart IR, up to 30m (98ft) IR distance
- Optical glass window with higher light transmittance
- IR anti-reflection window to increase the infrared transmittance
- 2D/3D DNR (Digital Noise Reduction)

Compression

- Ultra 265, H.265, H.264, MJPEG
- ROI (Region of Interest)

Network

- ONVIF Conformance

Structure

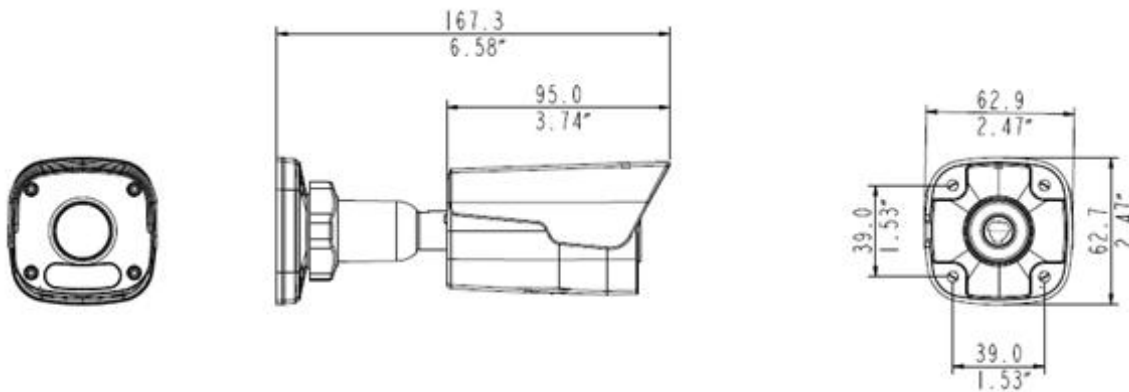
- Wide temperature range: -30°C ~ 60°C (-22°F ~ 140°F)
- Wide voltage range of $\pm 25\%$
- IP67
- 3-Axis

Specifications

	IPC2124LR3-PF40M-D	IPC2124LR3-PF60M-D			
Camera					
Sensor	1/3", 4.0 megapixel, progressive scan, CMOS				
Lens	4.0mm@F2.0			6.0mm@F2.0	
DORI Distance	Lens (mm)	Detect (m)	Observe (m)	Recognize (m)	Identify (m)
	4.0	90	36	18	9
	6.0	135	54	27	13.5
Angle of View (H)	78.9°			49.9°	
Angle of View (V)	39.6°			27.0°	
Angle of View (O)	97.0°			57.7°	
Adjustment angle	Pan: 0° ~ 360°		Tilt: 0° ~ 90°		Rotate: 0° ~ 360°
Shutter	Auto/Manual, 1 ~ 1/100000s				
Minimum Illumination	Colour: 0.03Lux (F2.0, AGC ON) 0Lux with IR on				
Digital noise reduction	2D/3D DNR				
Day/Night	IR-cut filter with auto switch (ICR)				
S/N	>52dB				
IR Range	Up to 30m (98ft) IR range				
WDR	DWDR				
Video					
Video Compression	Ultra 265, H.265, H.264, MJPEG				
H.264 code profile	Baseline profile, Main Profile				
Frame Rate	Main Stream: 4MP (2592*1520), Max 20fps; Sub Stream: 720P (1280*720), Max 20fps; Third Stream: D1 (720*576), Max 20fps				
HLC	Supported				
BLC	Supported				
OSD	Up to 4 OSDs				
Privacy Mask	Up to 4 areas				
ROI	Up to 2 areas				
Motion Detection	Up to 4 areas				
Smart					
Behavior Detection	Intrusion, Human Body Detection, Motion detection, Tampering alarm				
Intrusion	Enter and loiter in a pre-defined virtual region				
Network					
Protocols	IPv4, IGMP, ICMP, ARP, TCP, UDP, DHCP, RTP, RTSP, RTCP, DNS, DDNS, NTP, FTP, UPnP, HTTP, HTTPS, SMTP, SSL, QoS				
Compatible Integration	ONVIF (Profile S, Profile T), API				
Interface					
Network	10/100M Base-TX Ethernet				
General					
Power	DC 12V±25%, PoE (IEEE 802.3af)				
	Power consumption: Max 5W				

Dimensions (L × W × H)	167.3 × 62.9 × 62.7mm (6.6" × 2.5" × 2.5")
Weight	0.45kg (0.99lb)
Working Environment	-30°C ~ 60°C (-22°F ~ 140°F), Humidity: ≤95% RH (non-condensing)
Ingress Protection	IP67
Reset Button	Supported

Dimensions



Zhejiang Uniview Technologies Co., Ltd.

Building No.10, Wanlun Science Park, Jiangling Road 88, Binjiang District, Hangzhou, Zhejiang, China (310051)

Email: overseasbusiness@uniview.com; globalsupport@uniview.com

<http://www.uniview.com>

©2019 Zhejiang Uniview Technologies Co., Ltd. All rights reserved.

*Product specifications and availability are subject to change without notice.